

FEATURES

- EIGHT TRANSFORMERS IN A SURFACE MOUNT PACKAGE
- Includes IC Side Protection Circuit on each channel to suppress low voltage transients
- Compatible with PMC-Sierra's Comet chip (PM4354)
- MODELS MATCHED TO LEADING QUAD AND DUAL T1/E1/CEPT/ISDN-PRI TRANSCEIVERS.
- ISOLATION VOLTAGE: 1500Vrms.
- RECOGNIZED BY UL 1950.

TEST CONDITIONS

- OCL -- 100KHZ/100mV
- LL-- 100KHZ/100mV
- Cww -- 100KHZ/100mV

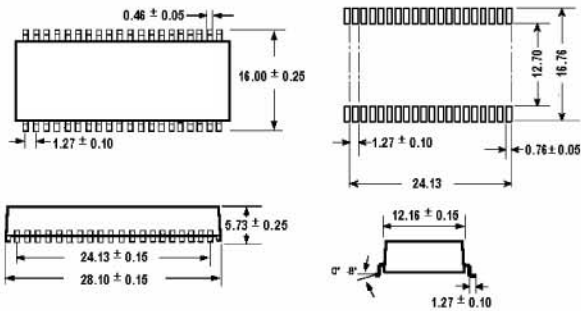
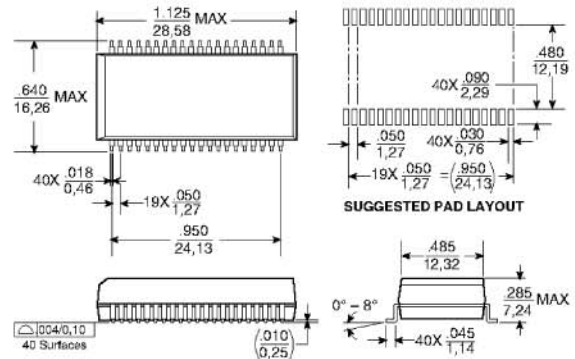
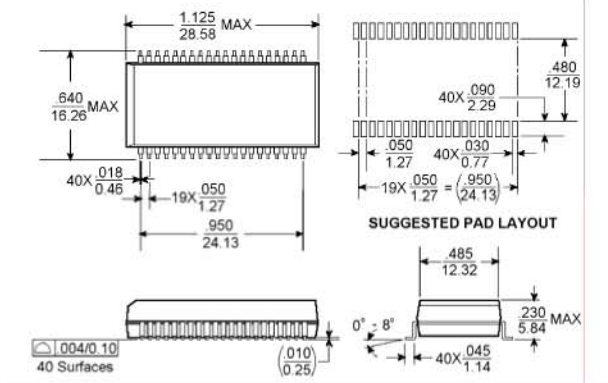
ELECTRICAL SPECIFICATIONS @25°C



Part Number		Turns Ratio (Pri:Sec±2%)		OCL @ 25°C (mH MIN)		LL (uH MAX)		Cww (pF MAX)		Package Schematic	Primary Pins	
STD Temp.	EXT Temp.	Transmit	Receive	Transmit	Receive	Transmit	Receive	Transmit	Receive		Transmit	Receive
ST- 58T1221A	ST- 58T1221AC	1:1.36	1:1.36CT	1.2	1.2	0.6	0.6	35	35	A	1-2,8-7,11-12,16-17	38-38,33-31,28-26,23-21
ST- 58T1222A	ST- 58T1222AC	1:1.14	1:1.14CT	1.2	1.2	0.6	0.6	35	35	A	1-2,8-7,11-12,16-17	38-38,33-31,28-26,23-21
ST- 58T1221C	ST- 58T1221CC	1:2CT	1:2CT	1.2	1.2	0.8	0.8	35	35	C	4-5,8-10,14-15,18-20	24-25,28-30,34-35,38-40
ST- 58T1221D	ST- 58T1221DC	1:2	1:2CT	1.2	1.2	0.6	0.6	35	35	D	1-2,8-10,11-12,16-20	23-25,26-28,33-35,36-38
ST- 58T1222C	ST- 58T1222CC	1:1.36CT	1:2CT	1.2	1.2	0.6	0.6	35	35	C	24-25,28-30,34-35,38-40	4-5,8-10,14-15,18-20
ST- 58T1221B	ST- 58T1221BC	1:2CT	1:1CT	1.2	1.2	0.6	0.6	35	35	B	1-2,8-7,11-12,16-17	21-22,26-27,31-32,36-37
ST- 58T1223C	ST- 58T1223CC	1CT:1.41	1CT:1.41	1.2	1.2	0.6	0.6	35	35	C	1-3,8-11,13,16-18	21-23,26-28,31-33,36-38
ST- 58T1223A	ST- 58T1223AC	1:1.15	1:2CT	1.2	1.2	0.6	0.6	35	35	A	1-2,8-7,11-12,16-17	21-23,26-28,31-33,36-38
ST- 58T1222B	ST- 58T1222BC	1:1/1.26	1:2CT	1.2	1.2	0.6	0.6	35	35	B	1-2,8-7,11-12,16-17	21-22,26-27,31-32,36-37
ST- 58T1221E	ST- 58T1221EC	1:1.15	1:1.15	1.2	1.2	0.6	0.6	35	35	E	1-3,8-11,13,16-18	4-5,8-10,14-15,18-20
ST- 58T1222E	ST- 58T1222EC	1:2	1:2	1.2	1.2	0.6	0.6	35	35	E	1-3,8-11,13,16-18	4-5,8-10,14-15,18-20
ST- 58T1225A	ST- 58T1225AC	1:1.08	1:1.08CT	1.2	1.2	0.4	0.5	35	35	A	1-2,8-7,11-12,16-17	38-38,33-31,28-26,23-21
ST- 58T1224C	ST- 58T1224CC	1:2CT	1CT:2	1.2	1.2	0.6	0.6	35	35	C	4-5,8-10,14-15,18-20	1-3,8-11,13,16-18
ST- 58T1226A	ST- 58T1226AC	1:1.70	1:1.36CT	1.2	1.2	0.8	0.6	35	35	A	1-2,8-7,11-12,16-17	21-23,26-28,31-33,36-38
ST- 58T1225C	ST- 58T1225CC	1:1.36CT	1:1CT	1.2	1.2	0.6	0.6	35	35	C	24-25,28-30,34-35,38-40	4-5,8-10,14-15,18-20
ST- 58T1022F	ST- 58T1022FC	1:2.4	1:1	1.0	1.0	0.5	0.5	35	35	F	1-2,8-11,12,16-18	24-25,27-28,34-35,37-38
ST- 58T1223F	ST- 58T1223FC	1:1.5	1.41:1	1.0	1.0	0.5	0.5	35	35	F	1-2,8-11,12,16-18	24-25,27-28,34-35,37-38
ST- 58T1021G	ST- 58T1021GC	1:2/2.4	1.0/7.0/1	1.0	1.0	1.0	1.0	35	35	G	1-2,8-10,11-12,16-20	37-38,36-34,27-26,25-24
ST- 58T1223E	ST- 58T1223EC	1:2.42	1:2.42	1.2	1.2	0.6	0.6	35	35	E	1-3,8-11,13,16-18	4-5,8-10,14-15,18-20
ST- 58T6013B	ST- 58T6013BC	1:2.1CT	1:2.1CT	1.2	0.6	0.6	0.6	35	35	B	1-2,8-7,11-12,16-17	21-22,26-27,31-32,36-37
ST- 58T6014B	ST- 58T6014BC	1:2.45CT	1:2.45C	1.2	0.6	0.6	0.6	35	35	B	1-2,8-7,11-12,16-17	21-22,26-27,31-32,36-37
-	ST- 58T1222FC	1:2	1:2	1.2	1.2	0.7	0.7	35	35	F	1-2,8-7,11-12,16-17	3-4,8-13,14,18-19
-	ST- 58T1225CC	1:2CT	1CT:1	1.2	1.2	0.6	0.6	35	35	C	4-5,8-10,14-15,18-20	1-3,8-11,13,16-18
-	ST- 58T1226EC	1:2	1:1	1.2	1.2	0.6	0.6	35	35	E	1-3,8-11,13,16-18	4-5,8-10,14-15,18-20
-	ST- 58T1223EC	1:1.36	1:1	1.2	1.2	0.6	0.6	40	40	E	1-3,8-11,13,16-18	4-5,8-10,14-15,18-20
-	ST- 58T1226CC	1:1CT	1:1CT	1.2	1.2	0.6	0.6	35	35	C	4-5,8-10,14-15,18-20	24-25,28-30,34-35,38-40
-	ST- 58T1227CC	1:1.36CT	1:1.36CT	1.2	1.2	0.6	0.6	35	35	C	4-5,8-10,14-15,18-20	24-25,28-30,34-35,38-40
-	ST- 58T1224EC	1:1	1:1	1.2	1.2	0.7	0.7	35	35	E	1-3,8-11,13,16-18	4-5,8-10,14-15,18-20
58TH-6013L	-	1:2.42	1:2.42	0.6	0.6	0.6	0.6	35	35	L	1-3,4-5,8-10,11-13,14-15,16-18,19-20	40-38,37-36,35-33,32-31,30-28,27-26,25-23,22-21

NOTE : Standard (STD) operating temperature range is 0 to 70°C. Extended (EXT) operating temperature range is -40 to 85°C.

MECHANICAL



UNIT:mm Unless otherwise specified,all tolerances are±0.25

SCHEMATICS

